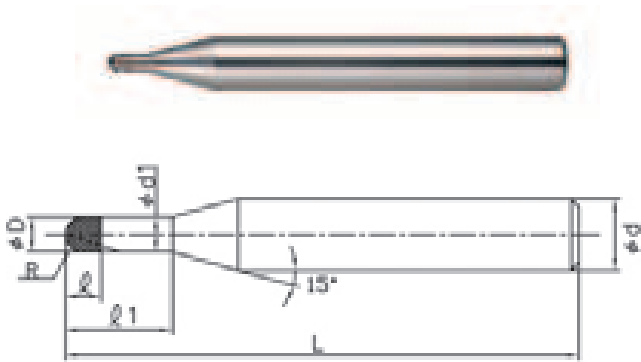


PCD 製品

Poly crystalline Diamond

DCBE-2


PCD 2枚刃ボールエンドミル 超硬加工用
PCD 2 Flutes Ball Endmill For Tungsten Carbide



PCD PCD多結晶ダイヤモンド Poly crystalline Diamond

 刃径の許容差 Flute Diameter Tolerance
D 0 ~ - 0.01

 柄径の許容差 Shank Diameter Tolerance
d 0 ~ - 0.003

 ネジレ角0° Twist Angle 0°
(直刃 2 枚刃) (2 Flutes Straight Endmill)

 R 許容差 R Tolerance
+ 0.005 ~ - 0.005

● 切削条件表は P178 に記載

● Cutting conditions are recommended on page 178.

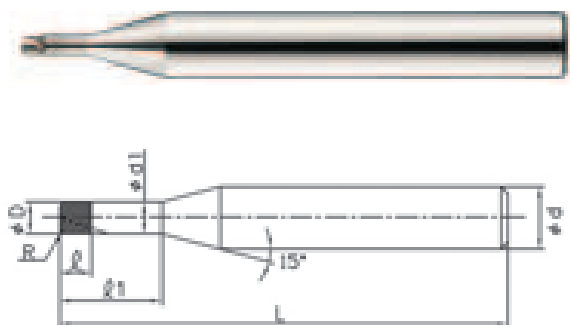
[寸法単位 : mm]

[size : mm]


品番 Code No.	R	刃径 D Flute Diameter	有効長 l1 Effective Length	刃長 l Flute Length	首下径 d1 Neck Diameter	PCD層 PCD Length	全長 L Total Length	柄径 d Shank Diameter	標準価格 Retail Price
DCBE-2020	R 0.2	0.4	0.8	0.3	0.36	0.6	50	4	105,600
DCBE-2025	R 0.25	0.5	1	0.4	0.46	0.8	50	4	102,800
DCBE-2030	R 0.3	0.6	1.2	0.5	0.56	1	50	4	100,000
DCBE-2040	R 0.4	0.8	1.6	0.6	0.76	1	50	4	94,500
DCBE-2050	R 0.5	1	2	1	0.95	1	50	4	88,900
DCBE-2060	R 0.6	1.2	2.4	1.2	1.15	2	50	4	97,300
DCBE-2070	R 0.7	1.4	2.8	1.4	1.35	2	50	4	97,300
DCBE-2075	R 0.75	1.5	3	1.5	1.45	2	50	4	97,300
DCBE-2080	R 0.8	1.6	3.2	1.5	1.55	2	50	4	100,000
DCBE-2090	R 0.9	1.8	3.6	1.5	1.75	2	50	4	100,000
DCBE-2100	R 1	2	4	1.5	1.95	2	50	4	100,000

DCRE-2

PCD 2枚刃コーナーR付エンドミル 超硬加工用
PCD 2 Flutes Corner R Endmill For Tungsten Carbide




PCD PCD多結晶ダイヤモンド Poly crystalline Diamond

 刃径の許容差 Flute Diameter Tolerance
D 0~-0.01

 柄径の許容差 Shank Diameter Tolerance
d 0~-0.003

 ネジレ角0° Twist Angle 0°
(直刃 2枚刃) (2 Flutes Straight Endmill)

 コーナーR許容差 corner R Tolerance
+0.005~-0.005

●切削条件表は P179 に記載

●Cutting conditions are recommended on page179.

[寸法単位 : mm]

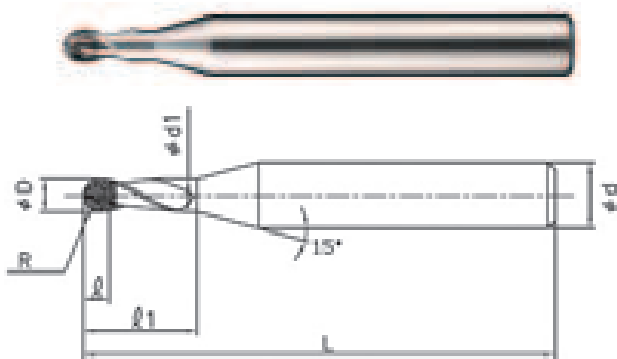
[size : mm]

品番 Code No.	刃径 D Flute Diameter	コーナーR Corner R	有効長 l1 Effective Length	刃長 l Flute Length	首下径 d1 Neck Diameter	PCD層 PCD Length	全長 L Total Length	柄径 d Shank Diameter	標準価格 Retail Price
DCRE-205005	0.5	R0.05	1	0.5	0.46	0.8	50	4	105,600
DCRE-205010	0.5	R0.1	1	0.5	0.46	0.8	50	4	105,600
DCRE-205020	0.5	R0.2	1	0.5	0.46	0.8	50	4	105,600
DCRE-210005	1	R0.05	2	1	0.95	1	50	4	94,500
DCRE-210010	1	R0.1	2	1	0.95	1	50	4	94,500
DCRE-210020	1	R0.2	2	1	0.95	1	50	4	94,500
DCRE-215005	1.5	R0.05	3	1.5	1.45	2	50	4	100,000
DCRE-215010	1.5	R0.1	3	1.5	1.45	2	50	4	100,000
DCRE-215020	1.5	R0.2	3	1.5	1.45	2	50	4	100,000
DCRE-220005	2	R0.05	4	1.5	1.95	2	50	4	105,600
DCRE-220010	2	R0.1	4	1.5	1.95	2	50	4	105,600
DCRE-220020	2	R0.2	4	1.5	1.95	2	50	4	105,600

DBE-2

PCD 2 枚刃スパイラルボールエンドミル PCD 2 Flutes Spiral Ball Endmill

- ソリッドPCDの刃先部はスパイラル形状。
Spiral Shape at Flute Edge of Solid PCD
- 非鉄金属やセラミック等の難削材まで加工可能。
Possible to cut Nonferrous metal and Difficult-to-cut Materials such as Ceramics



PCD PCD多結晶ダイヤモンド Poly crystalline Diamond

刃径の許容差 Flute Diameter Tolerance
D 0 ~ - 0.005

柄径の許容差 Shank Diameter Tolerance
d 0 ~ - 0.003

ネジレ角30° Twist Angle 30°

R許容差 R Tolerance
+ 0.003 ~ - 0.003

●切削条件表はP180に記載

●Cutting conditions are recommended on page 180.

単位 [寸法：mm / 価格：円]

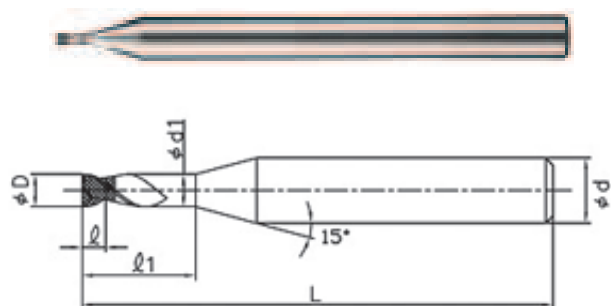
Unit [size : mm / Retail Price : JPY]

品番 Code No.	R	刃径 D Flute Diameter	有効長 ℓ1 Effective Length	刃長 ℓ Flute Length	PCD 層 PCD Length	全長 L Total Length	柄径 d Shank Diameter	標準価格 Retail Price
DBE-2010	R 0.1	0.2	0.6	0.2	1	50	4	116,700
DBE-2015	R 0.15	0.3	0.9	0.3	1	50	4	111,200
DBE-2020	R 0.2	0.4	1.2	0.4	1	50	4	105,600
DBE-2025	R 0.25	0.5	1.5	0.5	1	50	4	102,800
DBE-2030	R 0.3	0.6	1.8	0.6	1	50	4	100,000
DBE-2040	R 0.4	0.8	2.4	0.8	1	50	4	94,500
DBE-2050	R 0.5	1	3	1	1	50	4	88,900
DBE-2060	R 0.6	1.2	3.6	1.2	1	50	4	97,200
DBE-2070	R 0.7	1.4	4.2	1.4	1	50	4	97,200
DBE-2075	R 0.75	1.5	4.5	1.5	2	50	4	97,200
DBE-2080	R 0.8	1.6	4.8	1.5	2	50	4	100,000
DBE-2090	R 0.9	1.8	5.4	1.5	2	50	4	100,000
DBE-2100	R 1	2	6	1.5	2	50	4	100,000
DBE-2150	R 1.5	3	9	2	3	50	6	111,200

DSE-2


PCD 2 枚刃スパイラルスクエアエンドミル PCD 2 Flutes Spiral Square Endmill

- ソリッドPCDの刃先部はスパイラル形状。
Spiral Shape at Flute Edge of Solid PCD
- 非鉄金属やセラミック等の難削材まで加工可能。
Possible to cut Nonferrous metal and Difficult-to cut Materials such as Ceramics



PCD PCD多結晶ダイヤモンド Poly crystalline Diamond

 刃径の許容差 Flute Diameter Tolerance
D 0 ~ -0.01

 柄径の許容差 Shank Diameter Tolerance
d 0 ~ -0.003

 ネジレ角30° Twist Angle 30°

●切削条件表はP182に記載

●Cutting conditions are recommended on page182.

単位 [寸法：mm / 価格：円]

Unit [size : mm / Retail Price : JPY]

品番 Code No.	刃径 D Flute Diameter	有効長 l_1 Effective Length	刃長 l Flute Length	PCD 層 PCD Length	全長 L Total Length	柄径 d Shank Diameter	標準価格 Retail Price
DSE-2020	0.2	0.6	0.2	1	50	4	100,000
DSE-2030	0.3	0.9	0.3	1	50	4	94,500
DSE-2040	0.4	1.2	0.4	1	50	4	91,700
DSE-2050	0.5	1.5	0.5	1	50	4	88,900
DSE-2060	0.6	1.8	0.6	1	50	4	88,900
DSE-2070	0.7	2.1	0.7	1	50	4	83,400
DSE-2080	0.8	2.4	0.8	1	50	4	77,800
DSE-2090	0.9	2.7	0.9	1	50	4	77,800
DSE-2100	1	3	1	1	50	4	77,800
DSE-2110	1.1	3.3	1	1	50	4	77,800
DSE-2120	1.2	3.6	1	1	50	4	77,800
DSE-2130	1.3	3.9	1	1	50	4	77,800
DSE-2140	1.4	4.2	1	1	50	4	77,800
DSE-2150	1.5	4.5	1.5	2	50	4	83,400
DSE-2160	1.6	4.8	1.5	2	50	4	83,400
DSE-2170	1.7	5.1	1.5	2	50	4	83,400
DSE-2180	1.8	5.4	1.5	2	50	4	83,400
DSE-2190	1.9	5.7	1.5	2	50	4	83,400
DSE-2200	2	6	2	2	50	4	88,900
DSE-2210	2.1	6.3	2	2	50	4	88,900
DSE-2220	2.2	6.6	2	2	50	4	88,900
DSE-2230	2.3	6.9	2	2	50	4	88,900
DSE-2240	2.4	7.2	2	2	50	4	88,900

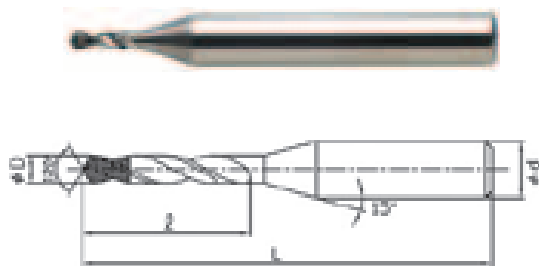
DSE-2

品番 Code No.	刃径 D Flute Diameter	有効長 l_1 Effective Length	刃長 l Flute Length	PCD 層 PCD Length	全長 L Total Length	柄径 d Shank Diameter	標準価格 Retail Price
DSE-2250	2.5	7.5	2	2	50	4	100,000
DSE-2260	2.6	7.8	2	2	50	4	100,000
DSE-2270	2.7	8.1	2	2	50	4	100,000
DSE-2280	2.8	8.4	2	2	50	4	100,000
DSE-2290	2.9	8.7	2	2	50	4	100,000
DSE-2300	3	9	2.5	3	50	6	108,400
DSE-2350	3.5	10.5	2.5	3	50	6	108,400
DSE-2400	4	12	2.5	3	50	6	116,700
DSE-2450	4.5	13.5	2.5	3	50	6	116,700
DSE-2500	5	15	3	4	60	6	127,800
DSE-2550	5.5	16.5	3	4	60	6	130,600
DSE-2600	6	18	3	4	60	6	133,400

DRD-2


PCD ドリル PCD 2 Flutes Drill

- ソリッドPCDの刃先部はスパイラル形状。
Spiral Shape at Flute Edge of Solid PCD
- 非鉄金属やセラミック等の難削材まで加工可能。
Possible to cut Nonferrous metal and Difficult-to cut Materials such as Ceramics



PCD PCD多結晶ダイヤモンド Poly crystalline Diamond

 刃径の許容差 Flute Diameter Tolerance
D 0 ~ -0.005

 柄径の許容差 Shank Diameter Tolerance
d 0 ~ -0.006

 ネジレ角30° Twist Angle 30°

 先端角度 120° Point Angle 120°

●切削条件表は P184 に記載

●Cutting conditions are recommended on page 184.

単位 [寸法：mm / 価格：円]

Unit [size : mm / Retail Price : JPY]

品番 Code No.	刃径D Flute Diameter	刃長 ℓ Flute Length	PCD層 PCD Length	全長 L Total Length	柄径 d Shank Diameter	標準価格 Retail Price
DRD-2030	0.3	4	1	38	3	69,500
DRD-2031	0.31	4	1	38	3	69,500
DRD-2032	0.32	4	1	38	3	69,500
DRD-2033	0.33	4	1	38	3	69,500
DRD-2034	0.34	4	1	38	3	69,500
DRD-2035	0.35	4	1	38	3	69,500
DRD-2036	0.36	4	1	38	3	69,500
DRD-2037	0.37	4	1	38	3	69,500
DRD-2038	0.38	4	1	38	3	69,500
DRD-2039	0.39	4	1	38	3	69,500
DRD-2040	0.4	5	1	38	3	66,700
DRD-2041	0.41	5	1	38	3	66,700
DRD-2042	0.42	5	1	38	3	66,700
DRD-2043	0.43	5	1	38	3	66,700
DRD-2044	0.44	5	1	38	3	66,700
DRD-2045	0.45	5	1	38	3	66,700
DRD-2046	0.46	5	1	38	3	66,700
DRD-2047	0.47	5	1	38	3	66,700
DRD-2048	0.48	5	1	38	3	66,700
DRD-2049	0.49	5	1	38	3	66,700
DRD-2050	0.5	5	1	38	3	61,200
DRD-2051	0.51	5	1	38	3	61,200
DRD-2052	0.52	5	1	38	3	61,200
DRD-2053	0.53	5	1	38	3	61,200

DRD-2

品番 Code No.	刃径D Flute Diameter	刃長 ℓ Flute Length	PCD層 PCD Length	全長 L Total Length	柄径 d Shank Diameter	標準価格 Retail Price
DRD-2054	0.54	5	1	38	3	61,200
DRD-2055	0.55	5	1	38	3	61,200
DRD-2056	0.56	5	1	38	3	61,200
DRD-2057	0.57	5	1	38	3	61,200
DRD-2058	0.58	5	1	38	3	61,200
DRD-2059	0.59	5	1	38	3	61,200
DRD-2060	0.6	7	1	38	3	61,200
DRD-2061	0.61	7	1	38	3	61,200
DRD-2062	0.62	7	1	38	3	61,200
DRD-2063	0.63	7	1	38	3	61,200
DRD-2064	0.64	7	1	38	3	61,200
DRD-2065	0.65	7	1	38	3	61,200
DRD-2066	0.66	7	1	38	3	61,200
DRD-2067	0.67	7	1	38	3	61,200
DRD-2068	0.68	7	1	38	3	61,200
DRD-2069	0.69	7	1	38	3	61,200
DRD-2070	0.7	8	1	38	3	61,200
DRD-2071	0.71	8	1	38	3	61,200
DRD-2072	0.72	8	1	38	3	61,200
DRD-2073	0.73	8	1	38	3	61,200
DRD-2074	0.74	8	1	38	3	61,200
DRD-2075	0.75	8	1	38	3	61,200
DRD-2076	0.76	8	1	38	3	61,200
DRD-2077	0.77	8	1	38	3	61,200
DRD-2078	0.78	8	1	38	3	61,200
DRD-2079	0.79	8	1	38	3	61,200
DRD-2080	0.8	8	1	38	3	55,600
DRD-2081	0.81	8	1	38	3	55,600
DRD-2082	0.82	8	1	38	3	55,600
DRD-2083	0.83	8	1	38	3	55,600
DRD-2084	0.84	8	1	38	3	55,600
DRD-2085	0.85	8	1	38	3	55,600
DRD-2086	0.86	8	1	38	3	55,600
DRD-2087	0.87	8	1	38	3	55,600
DRD-2088	0.88	8	1	38	3	55,600
DRD-2089	0.89	8	1	38	3	55,600
DRD-2090	0.9	8	1	38	3	55,600
DRD-2091	0.91	8	1	38	3	55,600
DRD-2092	0.92	8	1	38	3	55,600
DRD-2093	0.93	8	1	38	3	55,600
DRD-2094	0.94	8	1	38	3	55,600
DRD-2095	0.95	8	1	38	3	55,600

DRD-2

品番 Code No.	刃径D Flute Diameter	刃長 ℓ Flute Length	PCD層 PCD Length	全長 L Total Length	柄径 d Shank Diameter	標準価格 Retail Price
DRD-2096	0.96	8	1	38	3	55,600
DRD-2097	0.97	8	1	38	3	55,600
DRD-2098	0.98	8	1	38	3	55,600
DRD-2099	0.99	8	1	38	3	55,600
DRD-2100	1	8	1	38	3	55,600
DRD-2101	1.01	8	1	38	3	55,600
DRD-2102	1.02	8	1	38	3	55,600
DRD-2103	1.03	8	1	38	3	55,600
DRD-2104	1.04	8	1	38	3	55,600
DRD-2105	1.05	8	1	38	3	55,600
DRD-2106	1.06	8	1	38	3	55,600
DRD-2107	1.07	8	1	38	3	55,600
DRD-2108	1.08	8	1	38	3	55,600
DRD-2109	1.09	8	1	38	3	55,600
DRD-2110	1.1	8	1	38	3	55,600
DRD-2111	1.11	8	1	38	3	55,600
DRD-2112	1.12	8	1	38	3	55,600
DRD-2113	1.13	8	1	38	3	55,600
DRD-2114	1.14	8	1	38	3	55,600
DRD-2115	1.15	8	1	38	3	55,600
DRD-2116	1.16	8	1	38	3	55,600
DRD-2117	1.17	8	1	38	3	55,600
DRD-2118	1.18	8	1	38	3	55,600
DRD-2119	1.19	8	1	38	3	55,600
DRD-2120	1.2	8	1	38	3	55,600
DRD-2121	1.21	8	1	38	3	55,600
DRD-2122	1.22	8	1	38	3	55,600
DRD-2123	1.23	8	1	38	3	55,600
DRD-2124	1.24	8	1	38	3	55,600
DRD-2125	1.25	8	1	38	3	55,600
DRD-2126	1.26	8	1	38	3	55,600
DRD-2127	1.27	8	1	38	3	55,600
DRD-2128	1.28	8	1	38	3	55,600
DRD-2129	1.29	8	1	38	3	55,600
DRD-2130	1.3	8	1	38	3	55,600
DRD-2131	1.31	8	1	38	3	55,600
DRD-2132	1.32	8	1	38	3	55,600
DRD-2133	1.33	8	1	38	3	55,600
DRD-2134	1.34	8	1	38	3	55,600
DRD-2135	1.35	8	1	38	3	55,600
DRD-2136	1.36	8	1	38	3	55,600
DRD-2137	1.37	8	1	38	3	55,600

DRD-2

品番 Code No.	刃径D Flute Diameter	刃長ℓ Flute Length	PCD層 PCD Length	全長 L Total Length	柄径 d Shank Diameter	標準価格 Retail Price
DRD-2138	1.38	8	1	38	3	55,600
DRD-2139	1.39	8	1	38	3	55,600
DRD-2140	1.4	8	1	38	3	55,600
DRD-2141	1.41	8	1	38	3	55,600
DRD-2142	1.42	8	1	38	3	55,600
DRD-2143	1.43	8	1	38	3	55,600
DRD-2144	1.44	8	1	38	3	55,600
DRD-2145	1.45	8	1	38	3	55,600
DRD-2146	1.46	8	1	38	3	55,600
DRD-2147	1.47	8	1	38	3	55,600
DRD-2148	1.48	8	1	38	3	55,600
DRD-2149	1.49	8	1	38	3	55,600
DRD-2150	1.5	8	2	38	3	61,200
DRD-2151	1.51	8	2	38	3	61,200
DRD-2152	1.52	8	2	38	3	61,200
DRD-2153	1.53	8	2	38	3	61,200
DRD-2154	1.54	8	2	38	3	61,200
DRD-2155	1.55	8	2	38	3	61,200
DRD-2156	1.56	8	2	38	3	61,200
DRD-2157	1.57	8	2	38	3	61,200
DRD-2158	1.58	8	2	38	3	61,200
DRD-2159	1.59	8	2	38	3	61,200
DRD-2160	1.6	8	2	38	3	61,200
DRD-2161	1.61	8	2	38	3	61,200
DRD-2162	1.62	8	2	38	3	61,200
DRD-2163	1.63	8	2	38	3	61,200
DRD-2164	1.64	8	2	38	3	61,200
DRD-2165	1.65	8	2	38	3	61,200
DRD-2166	1.66	8	2	38	3	61,200
DRD-2167	1.67	8	2	38	3	61,200
DRD-2168	1.68	8	2	38	3	61,200
DRD-2169	1.69	8	2	38	3	61,200
DRD-2170	1.7	10	2	38	3	61,200
DRD-2171	1.71	10	2	38	3	61,200
DRD-2172	1.72	10	2	38	3	61,200
DRD-2173	1.73	10	2	38	3	61,200
DRD-2174	1.74	10	2	38	3	61,200
DRD-2175	1.75	10	2	38	3	61,200
DRD-2176	1.76	10	2	38	3	61,200
DRD-2177	1.77	10	2	38	3	61,200
DRD-2178	1.78	10	2	38	3	61,200
DRD-2179	1.79	10	2	38	3	61,200

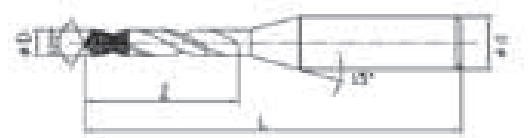
DRD-2

品番 Code No.	刃径D Flute Diameter	刃長 ℓ Flute Length	PCD層 PCD Length	全長 L Total Length	柄径 d Shank Diameter	標準価格 Retail Price
DRD-2180	1.8	10	2	38	3	61,200
DRD-2181	1.81	10	2	38	3	61,200
DRD-2182	1.82	10	2	38	3	61,200
DRD-2183	1.83	10	2	38	3	61,200
DRD-2184	1.84	10	2	38	3	61,200
DRD-2185	1.85	10	2	38	3	61,200
DRD-2186	1.86	10	2	38	3	61,200
DRD-2187	1.87	10	2	38	3	61,200
DRD-2188	1.88	10	2	38	3	61,200
DRD-2189	1.89	10	2	38	3	61,200
DRD-2190	1.9	10	2	38	3	61,200
DRD-2191	1.91	10	2	38	3	61,200
DRD-2192	1.92	10	2	38	3	61,200
DRD-2193	1.93	10	2	38	3	61,200
DRD-2194	1.94	10	2	38	3	61,200
DRD-2195	1.95	10	2	38	3	61,200
DRD-2196	1.96	10	2	38	3	61,200
DRD-2197	1.97	10	2	38	3	61,200
DRD-2198	1.98	10	2	38	3	61,200
DRD-2199	1.99	10	2	38	3	61,200
DRD-2200	2	10	2	38	3	66,700
DRD-2210	2.1	10	2	38	3	66,700
DRD-2220	2.2	10	2	38	3	66,700
DRD-2230	2.3	10	2	38	3	66,700
DRD-2240	2.4	10	2	38	3	66,700
DRD-2250	2.5	10	2	38	3	75,000
DRD-2260	2.6	10	2	38	3	75,000
DRD-2270	2.7	10	2	38	3	75,000
DRD-2280	2.8	10	3	38	3	75,000
DRD-2290	2.9	10	3	38	3	75,000
DRD-2300	3	10	3	38	3	75,000

DPD-2

PCDポイントドリル PCD 2 Flutes Point Drill

- ソリッドPCDの刃先部はスパイラル形状。
Spiral Shape at Flute Edge of Solid PCD
- 石英ガラスやセラミック等のガイド穴用。
Possible to cut Nonferrous metal and Difficult-to cut Materials
such as Ceramics



PCD多結晶ダイヤモンド Poly crystalline Diamond



刃径の許容差 Flute Diameter Tolerance
D 0~-0.005



柄径の許容差 Shank Diameter Tolerance
d 0~-0.006



ネジレ角25° Twist Angle 25°



先端角度120° Chamfer Angle Single 120°

●切削条件表はP185に記載

●Cutting conditions are recommended on page185.

単位[寸法:mm/価格:円]

Unit [size:mm/Retail Price:JPY]

品番 Code No.	刃径 D Flute Diameter	刃長 ℓ Flute Length	PCD層 PCD Length	全長 L Total Length	柄径 d Shank Diameter	標準価格 Retail Price
DPD-2030	0.3	0.6	0.5	38	3	69,500
DPD-2040	0.4	0.6	0.5	38	3	66,700
DPD-2050	0.5	1	0.5	38	3	61,200
DPD-2060	0.6	1	0.5	38	3	61,200
DPD-2070	0.7	1.2	0.6	38	3	61,200
DPD-2080	0.8	1.2	0.6	38	3	55,600
DPD-2090	0.9	1.8	0.6	38	3	55,600
DPD-2100	1	2	1	38	3	55,600
DPD-2110	1.1	2	1	38	3	55,600
DPD-2120	1.2	2	1	38	3	55,600
DPD-2130	1.3	3	1	38	3	55,600
DPD-2140	1.4	3	1	38	3	55,600
DPD-2150	1.5	3	1	38	3	61,200
DPD-2160	1.6	3	1	38	3	61,200
DPD-2170	1.7	3	1	38	3	61,200
DPD-2180	1.8	4	2	38	3	61,200
DPD-2190	1.9	4	2	38	3	61,200
DPD-2200	2	4	2	38	3	66,700
DPD-2210	2.1	4	2	38	3	66,700
DPD-2220	2.2	4	2	38	3	66,700
DPD-2230	2.3	5	2	38	3	66,700
DPD-2240	2.4	5	2	38	3	66,700
DPD-2250	2.5	5	2	38	3	75,000
DPD-2260	2.6	5	2	38	3	75,000

DPD-2

品番 Code No.	刃径 D Flute Diameter	刃長 l Flute Length	PCD層 PCD Length	全長 L Total Length	柄径 d Shank Diameter	標準価格 Retail Price
DPD-2270	2.7	5	2	38	3	75,000
DPD-2280	2.8	5	2	38	3	75,000
DPD-2290	2.9	5	2	38	3	75,000
DPD-2300	3	5	2	38	3	75,000