

樹脂加工用製品

For Resin

PSE-2

樹脂加工用超硬2枚刃エンドミル
Tungsten Carbide 2 Flutes Endmill for Resin Processing

- 刃形状を樹脂加工用にして切れ味を良好にしました
Flute shape is arranged for resin processing with sharp edge



極超微粒子合金 Super Micro Grain Tungsten Carbide



刃径の許容差 Flute Diameter Tolerance
D 0~-0.01



柄径の許容差 Shank Diameter Tolerance
d 0~-0.008



ネジレ角30° Twist Angle30°



ピンカド Sharp Edge

- 切削条件表はP233に記載 単位[寸法:mm/価格:円]
- Cutting conditions are recommended on page 233. Unit [s: mm/Retail Price: JPY]

品番 Code No.	刃径 D Flute Diameter	刃長 ℓ Flute Length	全長 L Total Length	柄径 d Shank Diameter	標準価格 Retail Price
PSE-202006	0.2	0.6	45	4	8,000
PSE-203010	0.3	1	45	4	7,200
PSE-204015	0.4	1.5	45	4	6,000
PSE-205015	0.5	1.5	45	4	6,000
PSE-206020	0.6	2	45	4	5,300
PSE-207020	0.7	2	45	4	5,300
PSE-208025	0.8	2.5	45	4	5,100
PSE-209030	0.9	3	45	4	4,800
PSE-210030	1	3	50	4	4,500
PSE-212040	1.2	4	50	4	4,500
PSE-215050	1.5	5	50	4	4,500
PSE-220060	2	6	50	4	4,500
PSE-225080	2.5	8	50	4	4,500
PSE-230103	3	10	80	3	5,300
PSE-230100	3	10	60	6	5,300
PSE-240124	4	12	80	4	6,000
PSE-240120	4	12	60	6	6,000
PSE-250150	5	15	60	6	6,600
PSE-260150	6	15	60	6	7,200
PSE-260210	6	21	100	6	8,000

PSELS-2

樹脂加工用超硬ロングシャンクエンドミル
Tungsten Carbide Long Shank Endmill for Resin Processing

- 深堀用に全長を長くしました。
Lengthened full length for deep processing



極超微粒子合金 Super Micro Grain Tungsten Carbide



刃径の許容差 Flute Diameter Tolerance
D 0~-0.01



柄径の許容差 Shank Diameter Tolerance
d 0~-0.008



ネジレ角30° Twist Angle30°



ピンカド Sharp Edge

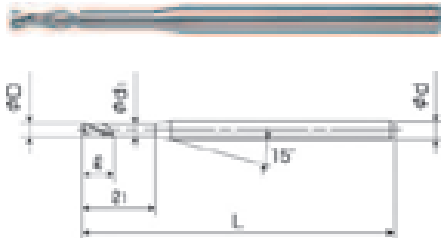
- 切削条件表はP233に記載 単位[寸法:mm/価格:円]
- Cutting conditions are recommended on page 233. Unit [s: mm/Retail Price: JPY]

品番 Code No.	刃径 D Flute Diameter	刃長 ℓ Flute Length	全長 L Total Length	柄径 d Shank Diameter	標準価格 Retail Price
PSELS-2002	0.2	0.4	80	4	8,400
PSELS-2003	0.3	0.6	80	4	7,300
PSELS-2004	0.4	0.8	80	4	6,200
PSELS-2005	0.5	1	80	4	6,200
PSELS-2006	0.6	1.2	80	4	5,600
PSELS-2007	0.7	1.4	80	4	5,600
PSELS-2008	0.8	1.6	80	4	5,300
PSELS-2009	0.9	1.8	80	4	5,000
PSELS-2010	1	2	80	4	4,800
PSELS-2012	1.2	2.4	80	4	4,800
PSELS-2015	1.5	3	80	4	4,800
PSELS-2020	2	4	80	4	4,800
PSELS-2025	2.5	5	80	4	4,800
PSELS-2030	3	6	80	6	5,600
PSELS-2040	4	8	80	6	6,200
PSELS-2050	5	10	80	6	6,700
PSELS-2060	6	12	80	6	7,300

PRE-2

樹脂加工用超硬リブ用エンドミル
Tungsten Carbide Endmill for Resin Processing
〈Long Neck Type〉

- 刃形状を樹脂加工用にして切れ味を良好にしました
Flute shape is arranged for resin processing with sharp edge
- 深い加工用に首下を長くとりました
Long neck type for deep processing



極超微粒子合金 Super Micro Grain Tungsten Carbide



刃径の許容差 Flute Diameter Tolerance
D 0~-0.01



柄径の許容差 Shank Diameter Tolerance
d 0~-0.008



ネジレ角30° Twist Angle 30°



ピンカド Sharp Edge

●切削条件表はP234に記載 単位[寸法:mm/価格:円]
●Cutting conditions are recommended on page 234. Unit [s:ize:mm/Retail Price:JPY]

品番 Code No.	刃径 D Flute Diameter	有効長 ℓ1 Effective Length	刃長 ℓ Flute Length	首下径 d1 Neck Diameter	全長 L Total Length	柄径 d Shank Diameter	標準価格 Retail price
PRE-203020	0.3	2	0.6	0.27	45	4	10,100
PRE-203040	0.3	4	0.6	0.27	45	4	10,100
PRE-203060	0.3	6	0.6	0.27	45	4	11,300
PRE-204020	0.4	2	0.8	0.37	45	4	10,100
PRE-204040	0.4	4	0.8	0.37	45	4	10,100
PRE-204060	0.4	6	0.8	0.37	45	4	11,300
PRE-205020	0.5	2	1	0.45	45	4	6,000
PRE-205040	0.5	4	1	0.45	45	4	6,000
PRE-205060	0.5	6	1	0.45	45	4	6,000
PRE-205080	0.5	8	1	0.45	45	4	7,500
PRE-205100	0.5	10	1	0.45	50	4	7,500
PRE-206040	0.6	4	1.2	0.55	45	4	6,000
PRE-206060	0.6	6	1.2	0.55	45	4	6,000
PRE-206100	0.6	10	1.2	0.55	50	4	7,500
PRE-207040	0.7	4	1.4	0.65	45	4	6,000
PRE-207060	0.7	6	1.4	0.65	45	4	6,000
PRE-207100	0.7	10	1.4	0.65	50	4	7,500
PRE-208060	0.8	6	1.6	0.75	45	4	6,000
PRE-208080	0.8	8	1.6	0.75	45	4	6,000
PRE-208120	0.8	12	1.6	0.75	50	4	7,200

PRE-2

品番 Code No.	刃径 D Flute Diameter	有効長 ℓ1 Effective Length	刃長 ℓ Flute Length	首下径 d1 Neck Diameter	全長 L Total Length	柄径 d Shank Diameter	標準価格 Retail price
PRE-209060	0.9	6	1.8	0.85	45	4	6,000
PRE-209080	0.9	8	1.8	0.85	45	4	6,000
PRE-209120	0.9	12	1.8	0.85	50	4	7,200
PRE-210060	1	6	2	0.9	50	4	5,300
PRE-210080	1	8	2	0.9	50	4	5,300
PRE-210100	1	10	2	0.9	50	4	5,300
PRE-210120	1	12	2	0.9	50	4	5,300
PRE-210160	1	16	2	0.9	60	4	6,000
PRE-210200	1	20	2	0.9	60	4	6,000
PRE-212080	1.2	8	2.4	1.1	50	4	5,300
PRE-212120	1.2	12	2.4	1.1	50	4	5,300
PRE-212160	1.2	16	2.4	1.1	60	4	6,000
PRE-215060	1.5	6	3	1.4	50	4	5,300
PRE-215100	1.5	10	3	1.4	50	4	5,300
PRE-215120	1.5	12	3	1.4	50	4	5,300
PRE-215160	1.5	16	3	1.4	60	4	6,000
PRE-215200	1.5	20	3	1.4	60	4	6,000
PRE-215250	1.5	25	3	1.4	70	4	7,200
PRE-220080	2	8	4	1.9	50	4	5,300
PRE-220100	2	10	4	1.9	50	4	5,300
PRE-220120	2	12	4	1.9	50	4	5,300
PRE-220160	2	16	4	1.9	60	4	6,000
PRE-220200	2	20	4	1.9	60	4	6,000
PRE-220250	2	25	4	1.9	70	4	7,200
PRE-220300	2	30	4	1.9	70	4	7,500
PRE-230080	3	8	6	2.8	60	6	6,000
PRE-230120	3	12	6	2.8	60	6	6,000
PRE-230160	3	16	6	2.8	60	6	6,000
PRE-230200	3	20	6	2.8	60	6	6,000
PRE-230250	3	25	6	2.8	70	6	6,600
PRE-230300	3	30	6	2.8	70	6	7,800
PRE-230350	3	35	6	2.8	80	6	9,500
PRE-230400	3	40	6	2.8	80	6	10,600
PRE-240120	4	12	8	3.8	60	6	6,600
PRE-240160	4	16	8	3.8	60	6	6,600
PRE-240200	4	20	8	3.8	60	6	6,600
PRE-240250	4	25	8	3.8	70	6	7,200
PRE-240300	4	30	8	3.8	70	6	8,000
PRE-240350	4	35	8	3.8	80	6	9,500
PRE-240400	4	40	8	3.8	80	6	10,600
PRE-240450	4	45	8	3.8	100	6	11,300
PRE-240500	4	50	8	3.8	100	6	11,900
PRE-250160	5	16	10	4.8	60	6	7,500
PRE-250200	5	20	10	4.8	60	6	7,500
PRE-250300	5	30	10	4.8	70	6	9,000
PRE-250400	5	40	10	4.8	80	6	10,600
PRE-250500	5	50	10	4.8	100	6	11,900

PSB-2

樹脂加工用超硬ボールエンドミル
Tungsten Carbide Ball Endmill for Resin Processing

■刃形状を樹脂加工用にして切れ味を良好にしました
Flute shape is arranged for resin processing with sharp edge



極超微粒子合金 Super Micro Grain Tungsten Carbide



刃径の許容差 Flute Diameter Tolerance
D 0~-0.01



柄径の許容差 Shank Diameter Tolerance
d 0~-0.008



ネジレ角30° Twist Angle 30°



R許容差 R Tolerance
+0.01~-0.01

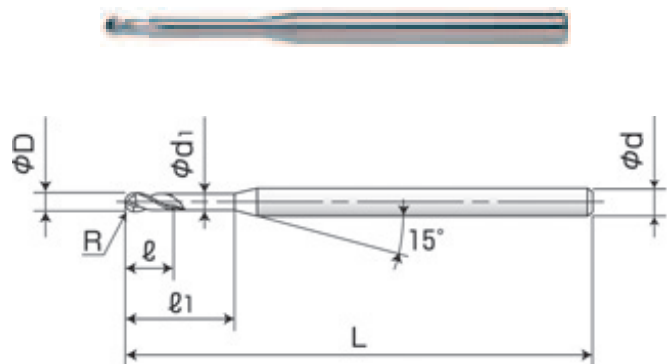
●切削条件表はP235に記載 単位[寸法:mm/価格:円]
●Cutting conditions are recommended on page 235. Unit [size:mm/Retail Price:JPY]

品番 Code No.	R	刃径 D Flute Diameter	刃長 ℓ Flute Length	全長 L Total Length	柄径 d Shank Diameter	標準価格 Retail Price
PSB-201006	R0.1	0.2	0.6	45	4	10,600
PSB-202008	R0.2	0.4	0.8	45	4	9,000
PSB-202515	R0.25	0.5	1.5	45	4	9,000
PSB-203020	R0.3	0.6	2	45	4	8,300
PSB-204025	R0.4	0.8	2.5	45	4	7,800
PSB-205030	R0.5	1	3	50	4	7,200
PSB-206035	R0.6	1.2	3.5	50	4	7,200
PSB-207040	R0.7	1.4	4	50	4	7,200
PSB-207550	R0.75	1.5	5	50	4	7,200
PSB-208050	R0.8	1.6	5	50	4	7,200
PSB-209050	R0.9	1.8	5	50	4	7,200
PSB-210060	R1	2	6	50	4	7,200
PSB-215100	R1.5	3	10	60	6	8,300
PSB-215153	R1.5	3	15	80	3	8,300
PSB-220120	R2	4	12	60	6	8,300
PSB-220184	R2	4	18	80	4	9,000
PSB-225150	R2.5	5	15	60	6	9,000
PSB-230150	R3	6	15	60	6	9,500
PSB-230206	R3	6	20	100	6	10,400

PRB-2

樹脂加工用超硬リブ用ボールエンドミル
Tungsten Carbide Ball Endmill for Resin Processing
< Long Neck Type >

- 刃形状を樹脂加工用に調整して切れ味を良好にしました
Flute shape is arranged for resin processing with sharp edge
- 深い加工用に首下を長く取りました
Long neck type for deep processing



極超微粒子合金 Super Micro Grain Tungsten Carbide



刃径の許容差 Flute Diameter Tolerance
D 0~-0.01



柄径の許容差 Shank Diameter Tolerance
d 0~-0.008



ネジレ角30° Twist Angle 30°



R許容差 R Tolerance
+0.01~-0.01

- 切削条件表はP236に記載
- Cutting conditions are recommended on page 236.

単位[寸法:mm/価格:円]
Unit [size:mm/Retail Price:JPY]

品番 Code No.	R	刃径 D Flute Diameter	有効長 l1 Effective Length	刃長 l Flute Length	首下径 d1 Neck Diameter	全長 L Total Length	柄径 d Shank Diameter	標準価格 Retail Price
PRB-2010020	R 0.1	0.2	2	0.3	0.18	45	4	11,300
PRB-2010040	R 0.1	0.2	4	0.3	0.18	45	4	11,900
PRB-2020020	R 0.2	0.4	2	0.6	0.37	45	4	10,100
PRB-2020040	R 0.2	0.4	4	0.6	0.37	45	4	10,600
PRB-2025020	R 0.25	0.5	2	0.8	0.45	45	4	6,800
PRB-2025040	R 0.25	0.5	4	0.8	0.45	45	4	6,800
PRB-2025060	R 0.25	0.5	6	0.8	0.45	45	4	6,800
PRB-2025080	R 0.25	0.5	8	0.8	0.45	45	4	7,800
PRB-2025100	R 0.25	0.5	10	0.8	0.45	50	4	7,800
PRB-2025120	R 0.25	0.5	12	0.8	0.45	50	4	9,000
PRB-2025150	R 0.25	0.5	15	0.8	0.45	50	4	9,000
PRB-2030040	R 0.3	0.6	4	1	0.55	45	4	7,500
PRB-2030060	R 0.3	0.6	6	1	0.55	45	4	7,500
PRB-2030100	R 0.3	0.6	10	1	0.55	50	4	8,600
PRB-2040040	R 0.4	0.8	4	1.2	0.75	45	4	7,200
PRB-2040060	R 0.4	0.8	6	1.2	0.75	45	4	7,200
PRB-2040100	R 0.4	0.8	10	1.2	0.75	50	4	8,000
PRB-2040120	R 0.4	0.8	12	1.2	0.75	50	4	8,000
PRB-2050040	R 0.5	1	4	1.5	0.9	50	4	6,300
PRB-2050080	R 0.5	1	8	1.5	0.9	50	4	6,300
PRB-2050120	R 0.5	1	12	1.5	0.9	50	4	6,800
PRB-2050160	R 0.5	1	16	1.5	0.9	60	4	7,500
PRB-2050200	R 0.5	1	20	1.5	0.9	60	4	8,600
PRB-2050250	R 0.5	1	25	1.5	0.9	70	4	9,000
PRB-2050300	R 0.5	1	30	1.5	0.9	70	4	10,100
PRB-2060080	R 0.6	1.2	8	1.8	1.1	50	4	6,300
PRB-2060120	R 0.6	1.2	12	1.8	1.1	50	4	6,800
PRB-2060160	R 0.6	1.2	16	1.8	1.1	60	4	7,500

PRB-2

品番 Code No.	R	刃径 D Flute Diameter	有効長ℓ1 Effective Length	刃長 ℓ Flute Length	首下径d1 Neck Diameter	全長 L Total Length	柄径 d Shank Diameter	標準価格 Retail Price
PRB-2070080	R 0.7	1.4	8	2	1.3	50	4	6,300
PRB-2070120	R 0.7	1.4	12	2	1.3	50	4	6,800
PRB-2070160	R 0.7	1.4	16	2	1.3	60	4	7,500
PRB-2075080	R 0.75	1.5	8	2.2	1.4	50	4	6,800
PRB-2075120	R 0.75	1.5	12	2.2	1.4	50	4	7,500
PRB-2075160	R 0.75	1.5	16	2.2	1.4	60	4	7,500
PRB-2075200	R 0.75	1.5	20	2.2	1.4	60	4	7,500
PRB-2075250	R 0.75	1.5	25	2.2	1.4	70	4	8,600
PRB-2080120	R 0.8	1.6	12	2.4	1.5	50	4	6,800
PRB-2080160	R 0.8	1.6	16	2.4	1.5	60	4	7,500
PRB-2080200	R 0.8	1.6	20	2.4	1.5	60	4	7,500
PRB-2090120	R 0.9	1.8	12	2.5	1.7	50	4	6,800
PRB-2090160	R 0.9	1.8	16	2.5	1.7	60	4	7,500
PRB-2090200	R 0.9	1.8	20	2.5	1.7	60	4	7,500
PRB-2100080	R 1	2	8	3	1.9	50	4	6,800
PRB-2100120	R 1	2	12	3	1.9	50	4	6,800
PRB-2100160	R 1	2	16	3	1.9	60	4	6,800
PRB-2100200	R 1	2	20	3	1.9	60	4	6,800
PRB-2100250	R 1	2	25	3	1.9	70	4	7,500
PRB-2100300	R 1	2	30	3	1.9	70	4	8,600
PRB-2100350	R 1	2	35	3	1.9	80	4	10,100
PRB-2100400	R 1	2	40	3	1.9	80	4	11,900
PRB-2150080	R 1.5	3	8	4	2.8	50	6	7,500
PRB-2150120	R 1.5	3	12	4	2.8	50	6	7,500
PRB-2150160	R 1.5	3	16	4	2.8	60	6	7,500
PRB-2150200	R 1.5	3	20	4	2.8	60	6	7,500
PRB-2150250	R 1.5	3	25	4	2.8	70	6	8,000
PRB-2150300	R 1.5	3	30	4	2.8	70	6	8,600
PRB-2150350	R 1.5	3	35	4	2.8	80	6	10,100
PRB-2150400	R 1.5	3	40	4	2.8	80	6	11,300
PRB-2200120	R 2	4	12	5	3.8	50	6	7,500
PRB-2200160	R 2	4	16	5	3.8	60	6	7,500
PRB-2200200	R 2	4	20	5	3.8	60	6	7,500
PRB-2200250	R 2	4	25	5	3.8	70	6	8,000
PRB-2200300	R 2	4	30	5	3.8	70	6	8,600
PRB-2200350	R 2	4	35	5	3.8	80	6	10,100
PRB-2200400	R 2	4	40	5	3.8	80	6	10,600
PRB-2200450	R 2	4	45	5	3.8	100	6	12,100
PRB-2200500	R 2	4	50	5	3.8	100	6	13,100
PRB-2250160	R 2.5	5	16	6	4.8	60	6	7,500
PRB-2250200	R 2.5	5	20	6	4.8	60	6	7,500
PRB-2250300	R 2.5	5	30	6	4.8	70	6	9,000
PRB-2250400	R 2.5	5	40	6	4.8	80	6	11,300
PRB-2250500	R 2.5	5	50	6	4.8	100	6	13,300